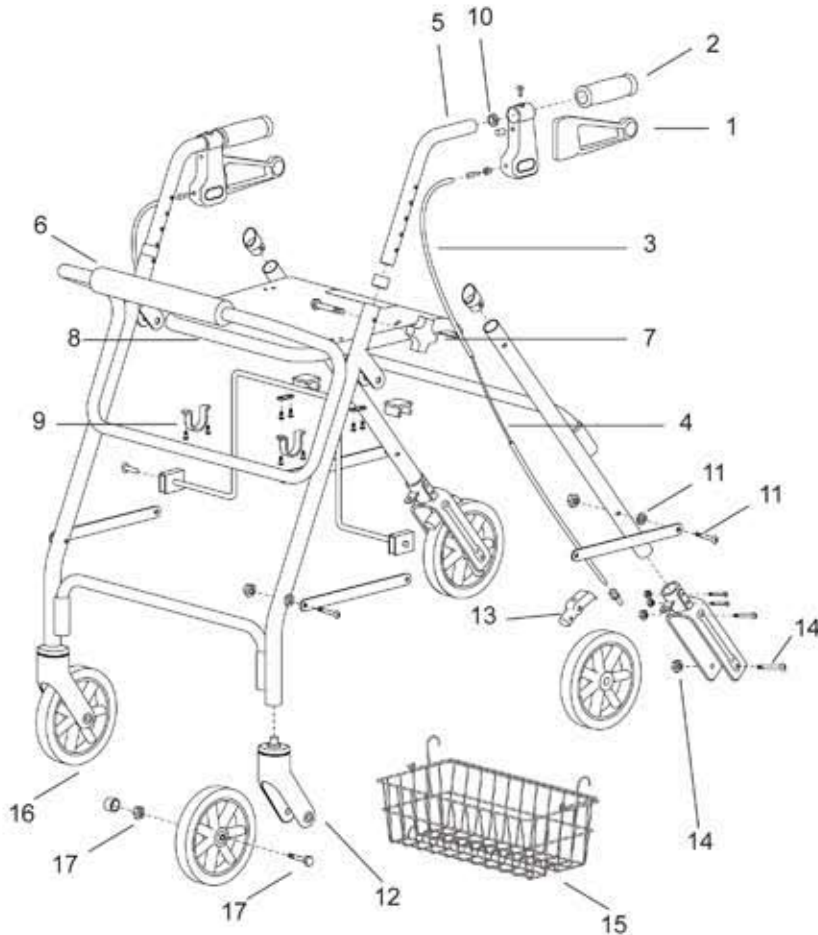




4200DX Super Low

No	Designation (Qty/Rollator)	UofM	Art. no
1	Brake Handle Complete Housing Plastic Cap Screw Handle with Nylon Ball Fulcrum Wheels (2 required) Fulcrum Wheel Plug (2 required)	EA	P49510
4	Wire Cable Tension Adjustment Screw	EA	P49006
10	Nylon Tube Cap	EA	P42013
5	Push Handle	EA	P42017
2	5" Rubber Handles 5" Foam Handles	PR	P42052 P42016
3	Vinyl Cable Sleeve Cover	EA	P49011
7	Star Handle and Bolt	EA	89096
6	Backrest Foam	EA	P42009
8	Plastic Seat	EA	P42055
9	Front Seat Clamp (2 required)	EA	P42041
11	Frame Bracket Bolt and Nut	EA	P42005
14	Rear Axle and Bolt	EA	P42034
13	Brake Pad	EA	P49055
Front Wheel			
12	Front Fork with Bearing	EA	P42032
17	Front Wheel Axle & Nut	EA	P42022
16	6" Wheel with Bearings Wheel Bearing (2 required)	EA EA	P42033 H48022
15	Basket 15"38.1cm (L) x 9"23cm (W) x 6.5"16.5cm (D)	EA	4212



All Rights Reserved. 4200 DX Super Low Parts Rev 1 - October 2015-Released
This manual may not be reproduced in part or in whole without the written permission of the publisher.

Models: 4205183F & 4205185F

Parsons ADL Inc.
1986 Sideroad 15, Tottenham, ON L0G 1W0
(800) 263-1281 www.parsonsadl.com

